

B R O C H U R E

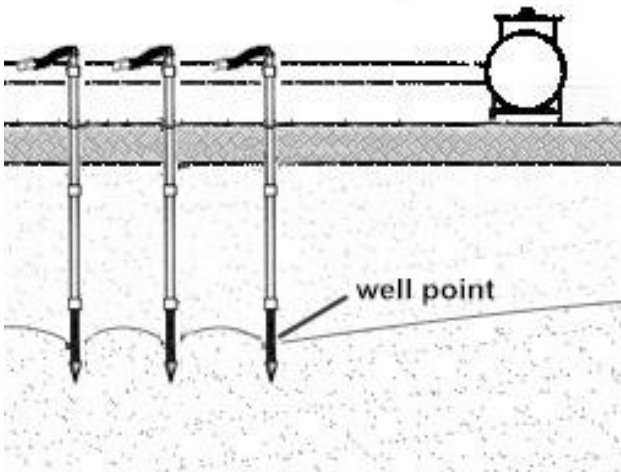


# Well Points



Anping Web Wire Mesh Co.,Ltd.

# Wedge Wire Screen Tube for Well Points



## Introduction

wedge wire screen tube is widely used as well points in drilling shallow aquifer well. The well point (drive point) is made of a wedge wrap screen by attached threaded pipe shank to the upper end, and a cone type point to the lower end.

Well point is a pipe with small diameter and suitable opening size, for permit the fine particles of the aquifer to enter while

prevents the coarser particles from entering the points.

Well points suitable for hand driving are available in either 1 1/4" or 2" diameter and length from 2" to 5". The size of openings in the wellpoint is determined by the size of particles of the aquifer..



Idea for	Screen Size	Features & Benefits
<ul style="list-style-type: none"> <li>Well point systems</li> <li>Dewatering systems</li> </ul>	<ul style="list-style-type: none"> <li>DN 1 1/4"</li> <li>DN 2"</li> <li>DN 3"</li> <li>DN 4"</li> <li>DN 5"</li> </ul>	<ul style="list-style-type: none"> <li>V type wire, non-clogging slot</li> <li>Very high open area</li> <li>Increased flow rates</li> <li>Minimal pressure drops</li> <li>Less energy required for pumping</li> <li>Small opening size to avoid pumping sand.</li> <li>Long service life</li> </ul>

# Technical Parameters

**When ordering, please specify:**

**1. Wedge Wire Screen tube**

Standard wrapped wire screen tube

**2. Slot Hole**

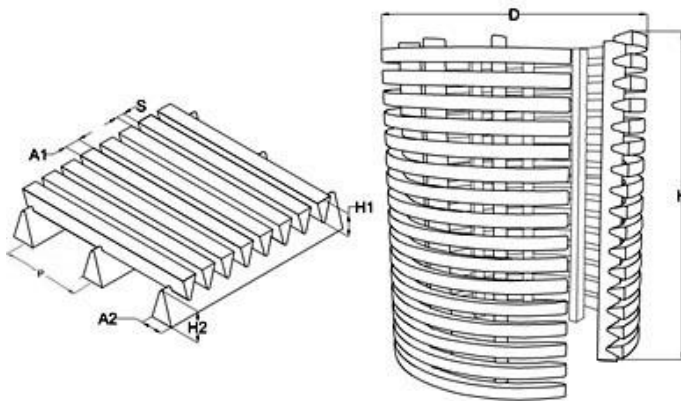
**3. Profile Wire**

Triangle wire

**4. Support Rod**

Triangle wire, round rod, flat bar, wedge wire

**5. Support Rod Pitch**



Wedge Wire Screen Panel

**Headquarters**

Web Wire Mesh Co.,Ltd.  
No.12 Weier Rd.  
EZD Industrial Park  
Hebei, China  
Tel: +86 0318 7568801  
Fax: +86 0318 7568802  
Website:www.webwedgewire.com

**Branch**

Web Wire Mesh Co.,Ltd.-SJZ  
NO 2701 CYC  
Shijiazhuang City  
Hebei, China  
Tel: +86 0311 89255081  
E-mail: zhao@webwirecloth.com



**Anping Web Wire Mesh Co.,Ltd.**